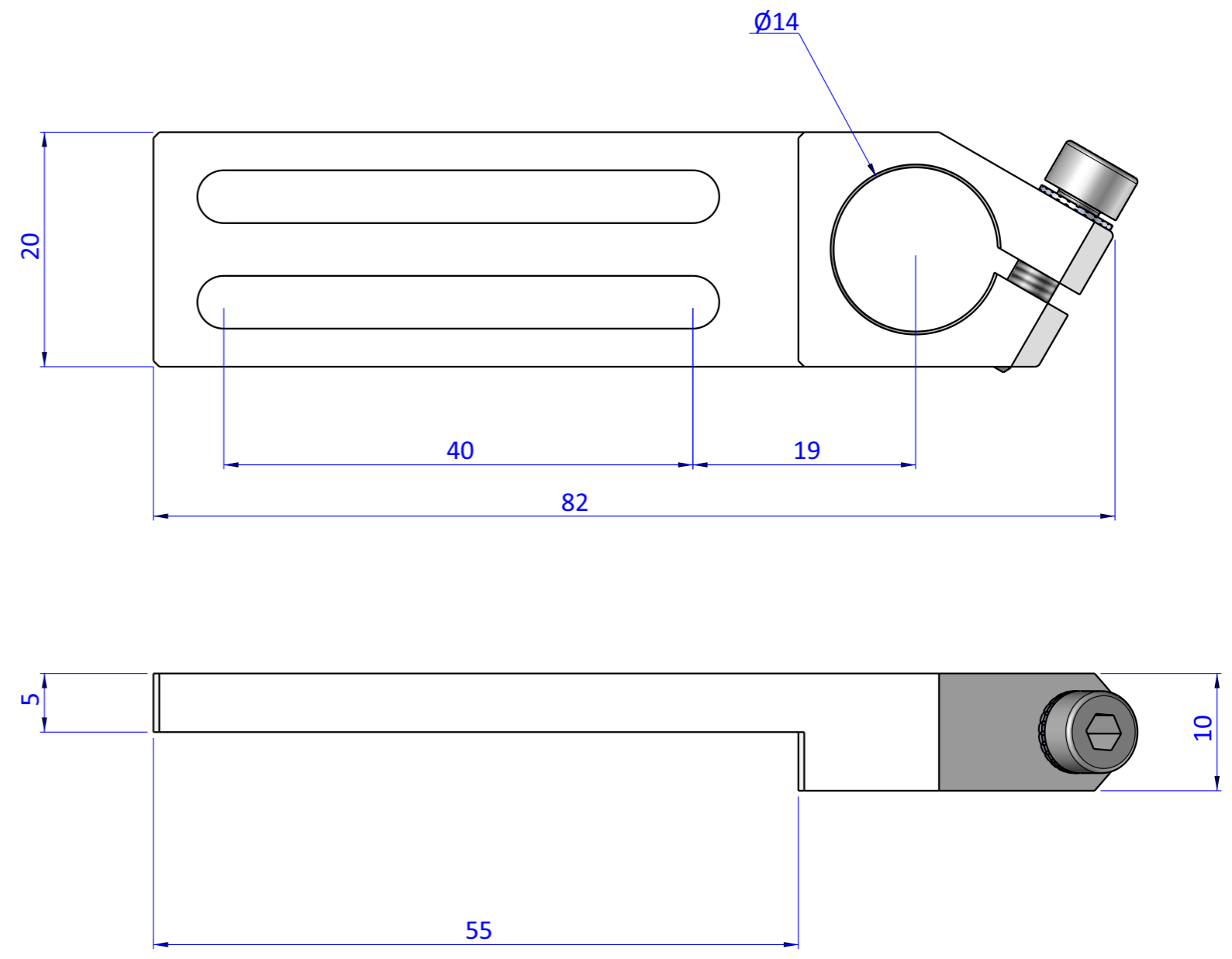
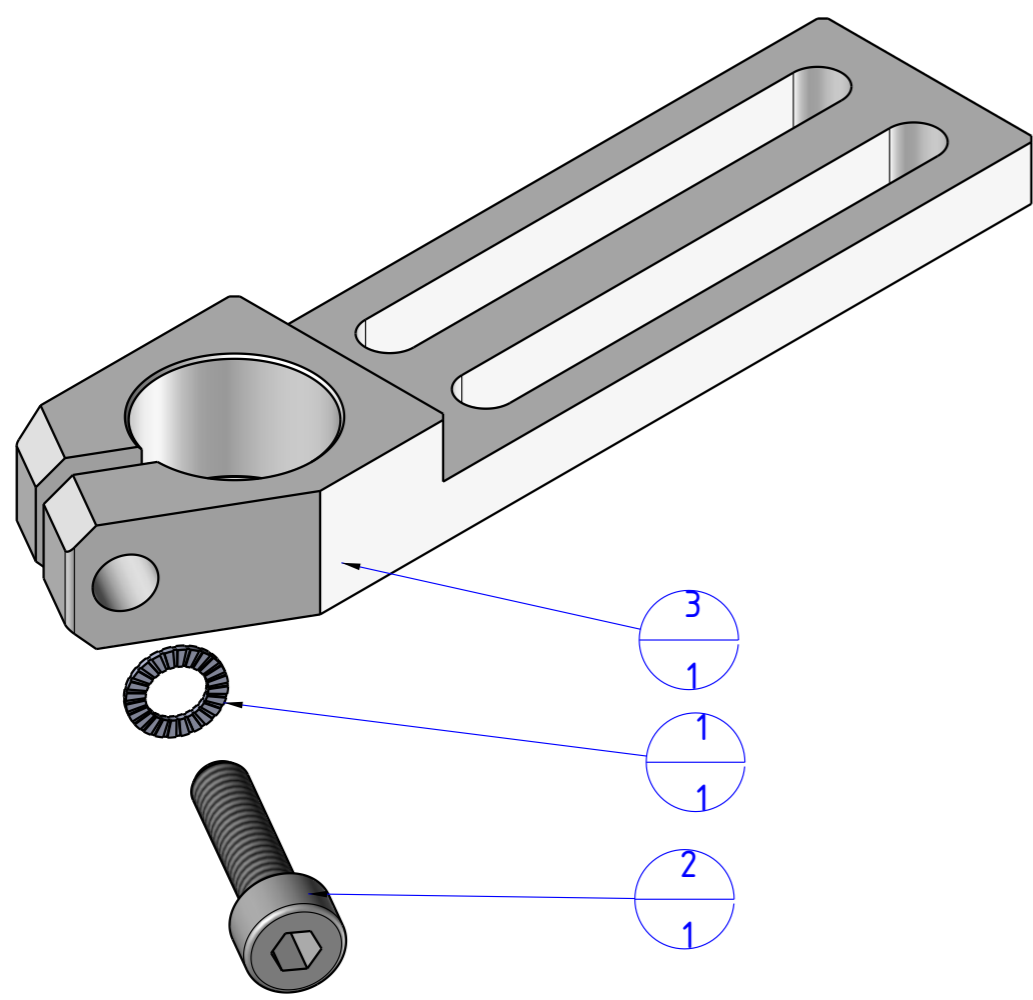

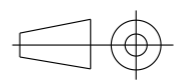


THE PROPERTY OF THE DRAWING IS ESTABLISHED BY LAW. IT IS FORBIDDEN TO PRODUCE OR SHOW IT TO THIRD PART. WITHOUT A WRITTEN AGREEMENT.

Item	Name	Q.ty
1	R.4.SCH	1
2	V.TCE4x16	1
3	WSL.1440.U	1



Format A3
UNI 936-76

 FPS FPSERVICES AUTOMATION			DESIGNED FROM	REVIEW
			FPS Automation	A
GENERAL TOLERANCE		DESCRIPTION	DATE	WEIGHT
UNI - ISO 2768			10/09/2020	0,019kg
CLASSE f		CA.WSL.1440.U	CODE	
			CA.WSL.1440.U	